

B

A

B

A

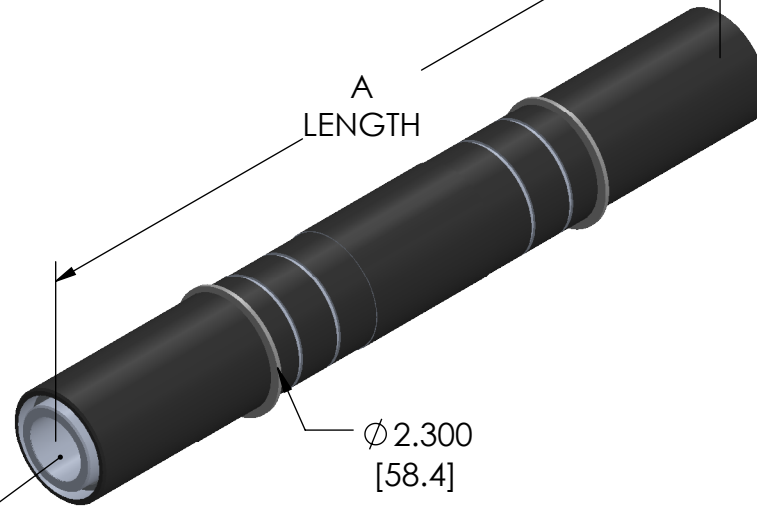
2

1

2


1

CORRUGATED
WAVEGUIDE
ID - 19.1 mm
OR
ID - 12.7 mm



A	PART NUMBER	WEIGHT
1 M	460-19-60-100	7.62 KGS - 16.79 LBS
0.5 M	460-19-60-050	3.79 KGS - 8.36 LBS
0.25 M	460-19-60-025	1.88 KGS - 4.14 LBS

DIM: in
[mm]

UNLESS OTHERWISE SPECIFIED: DIMENSIONS ARE IN INCHES		TITLE: CWG STRAIGHT SECTION			
TOLERANCES: ANGULAR: MACH ± 1 BEND ± 3 ANGULAR ONE DECIMAL ± 0.1 TWO PLACE DECIMAL ± 0.02 THREE PLACE DECIMAL ± 0.005		PROPRIETARY AND CONFIDENTIAL THE INFORMATION CONTAINED IN THIS DRAWING IS THE SOLE PROPERTY OF BRIDGE12 TECHNOLOGIES, INC. ANY REPRODUCTION IN PART OR AS A WHOLE WITHOUT THE WRITTEN PERMISSION OF BRIDGE12 IS PROHIBITED.			
INTERPRET GEOM. TOLERANCING PER: ASME Y14.5 - 2018		NAME	DATE	SIZE	DWG. NO.
MATERIAL		MODEL	CRG	2022-04-25	SEE TABLE
FINISH		DRAWING	RA	2020-12-28	
DO NOT SCALE DRAWING		CHECKED			REV
		APPROVED			SCALE: 1:8
					WEIGHT: 0.921
					SHEET 1 OF 1