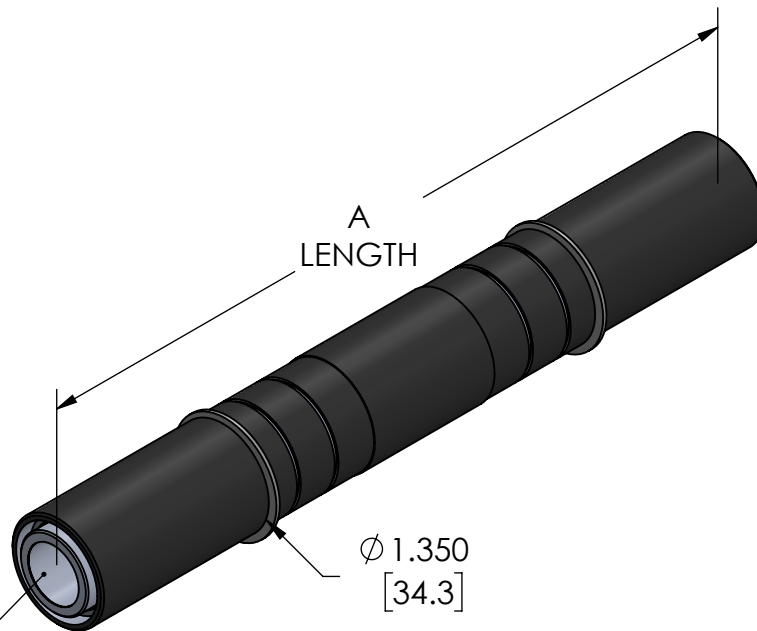


2

1

B

B



CORRUGATED  
WAVE GUIDE  
ID- 19.1 mm  
OR  
ID - 12.7 mm

A  
LENGTH

Ø 1.350  
[34.3]

A	PART NUMBER	WEIGHT
1 M	263-13-35-1000	1.61 KGS - 3.57 LBS
0.5 M	263-13-35-500	0.81 KGS - 1.79 LBS
0.25 M	263-13-35-250	0.41 KGS - 0.89 LBS

A

A

DIM : in  
[mm]

UNLESS OTHERWISE SPECIFIED: DIMENSIONS ARE IN INCHES		TITLE: CWG STRAIGHT SECTION			
TOLERANCES: ANGULAR: MACH ± 1 BEND ± 3 ANGULAR ONE DECIMAL ± 0.1 TWO PLACE DECIMAL ± 0.02 THREE PLACE DECIMAL ± 0.005		<b>PROPRIETARY AND CONFIDENTIAL</b> THE INFORMATION CONTAINED IN THIS DRAWING IS THE SOLE PROPERTY OF BRIDGE12 TECHNOLOGIES, INC. ANY REPRODUCTION IN PART OR AS A WHOLE WITHOUT THE WRITTEN PERMISSION OF BRIDGE12 IS PROHIBITED.			
INTERPRET GEOM. TOLERANCING PER: ASME Y14.5 - 2018		NAME	DATE	SIZE	DWG. NO.
MATERIAL		MODEL	CRG	2022-04-25	SEE-TABLE
FINISH		DRAWING	CRG	2022-05-19	
DO NOT SCALE DRAWING		CHECKED			REV
		APPROVED			SCALE: 1:4 WEIGHT: SHEET 1 OF 1

2

1